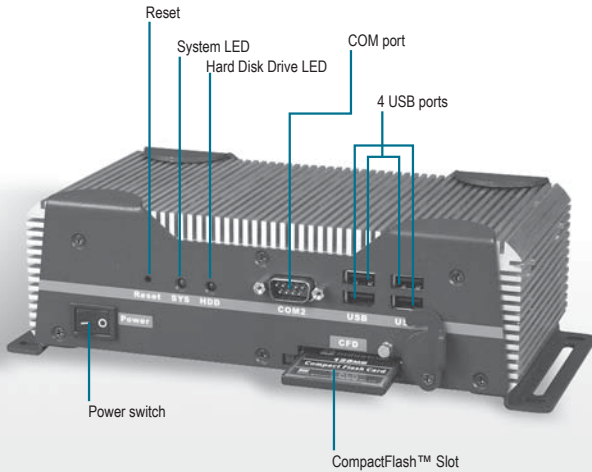


AEC-6810

Industrial Computing Platform Partner

Fanless Embedded Controller with VIA Eden™ 667MHz CPU



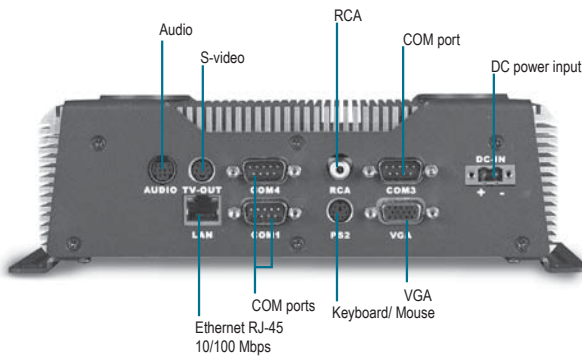
Features

- ▶ Fanless Design with VIA Eden™ 667MHz Processor
- ▶ Embedded OS Windows® CE .Net Porting
- ▶ Supports CompactFlash™ Memory and Optional Hard Disk Drive Module
- ▶ DIN Rail or Wallmount Design for Simple Installation
- ▶ Ethernet/ 4 COM/ 4 USB/ TV-out/ Audio



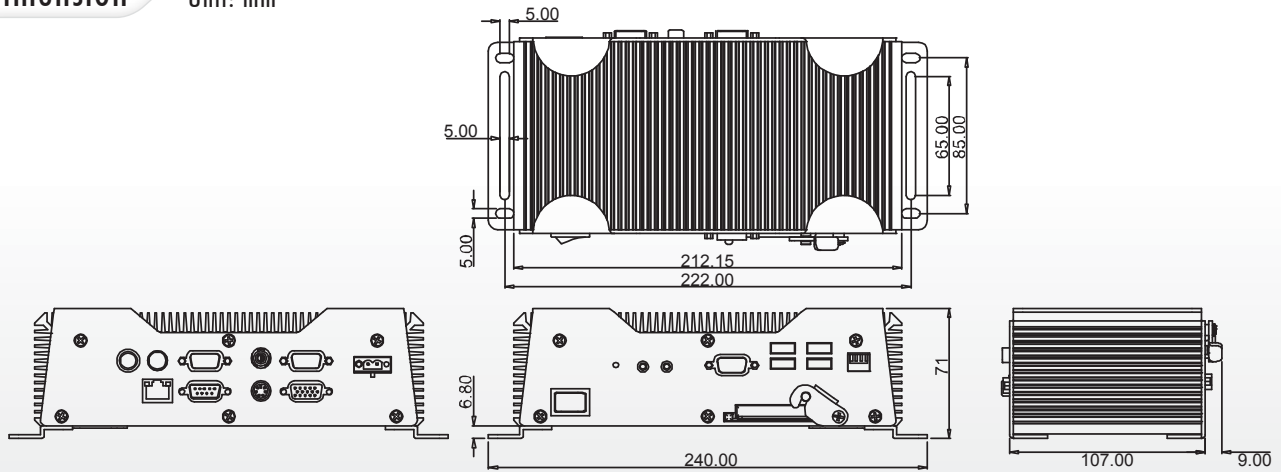
Specifications

System	
Processor	VIA Eden™ 667MHz/ C3™ 1 GHz CPU
System Memory	144-pin SDRAM SODIMM x 1, Max. 512MB (Optional)
VGA/ Keyboard/ Mouse	DB-15 VGA Connector, PS/2 Keyboard & Mouse
Ethernet	10/100Base-TX RJ-45 connector x 1
SSD	Type II CompactFlash™ slot x 1
Hard Disk Storage	Optional 2.5" Slim Hard Disk Drive Module
Serial Port	RS-232 x 3, RS-232/422/485 x 1
Audio	Mic-in/ Line-in/ Line-out , by extension cable
USB	4 USB 1.1 ports
TV-out	S-video and RCA output
System Control	Power on/ off switch x 1, Reset button x 1
LED Indicator	Power LED x1, Hard Disk Drive active LED x 1
Watchdog Timer	Generates a time-out system reset, setting via software
Power Supply	1. DC Input
	Internal DC-DC Converter (Standard) Input voltage: 9V DC ~ 30V DC
2. AC Input	External Power Adapter (Optional) Input voltage: 100V AC ~ 240V AC @ 50 ~ 60Hz Output rating: 36W (+12V@3A)
	OS Support
Mechanical	
Construction	Rugged Aluminum Alloy chassis
Color	Dark Blue
Mounting	Wallmount (Default), DIN Rail
Dimension	8.35" (W) x 2.53" (H) x 4.21" (D) (212mm x 64mm x 107mm)
Carton Dimension	12" (W) x 7.87" (H) x 9.4" (D) (305mm x 200mm x 240mm)
Net Weight	4.75lb (2.16kg)
Gross Weight	8.36lb (3.8kg)



Dimension

Unit: mm



Environmental	
Operating Temperature	5°F ~ 140°F (-15°C ~ 65°C)---667MHz (CFD) 32°F ~ 122°F (0°C ~ 50°C)---667MHz (Hard Disk Drive) 5°F ~ 113°F (-15°C ~ 45°C)---1GHz (CFD) 32°F ~ 104°F (0°C ~ 40°C)---1GHz (Hard Disk Drive)
Operating Humidity	5~95%@40°C, non-condensing
Vibration	5 g rms/ 5 ~ 500Hz/ random operation (CFD) 1 g/ 5 ~ 500Hz/ random operation (Hard Disk Drive)
Shock	100g peak acceleration (11 msec. duration) (CFD) 15g peak acceleration (11 msec. duration) (Hard Disk Drive)
EMC	CE/ FCC class A UL (Supports 9~18V DC input Only)

Ordering Information

- **AEC-6810-A1**
Fanless Embedded Controller with VIA Eden™ 667MHz CPU
- **AEC-6810-A2**
Fanless Embedded Controller with VIA C3™ 1GHz CPU

Optional Accessories

- **9741681001**
Hard Disk Drive Kit
- **9741681002**
AC Input Adapter Kit
- **9741681003**
DIN Rail Kit
- **9741681004**
Ultra Cooling Kit
- **9741666643**
1.8 g rms Vibration Protection Hard Disk Drive Kit for Vehicle
- **9681681000**
USB to Parallel Port Adapter Kit
- **9789666605**
USB to 4 Serial Ports Converter
- **9789666606**
USB to 2 Serial Ports Converter
- **9741081006**
Easy I/O Module
- **9741681007**
UPS Battery Module
- **9741681008**
Slim CD ROM + 2.5" Hard Disk Drive Kit

01
Medical Station Solutions - ONYX Series

02
Medical Display Solutions - ONYX Series

03
Operator Panel Solutions - ONYX Series

04
Robust Panel PC Solutions

05
Embedded Controller - Boxer S Series

06
Embedded Controller - BOXER Series

07
Industrial Monitor Solutions

08
Sun-readable & Vehicle LCD Monitors

09
Industrial Workstation Solutions

10
Common Accessories